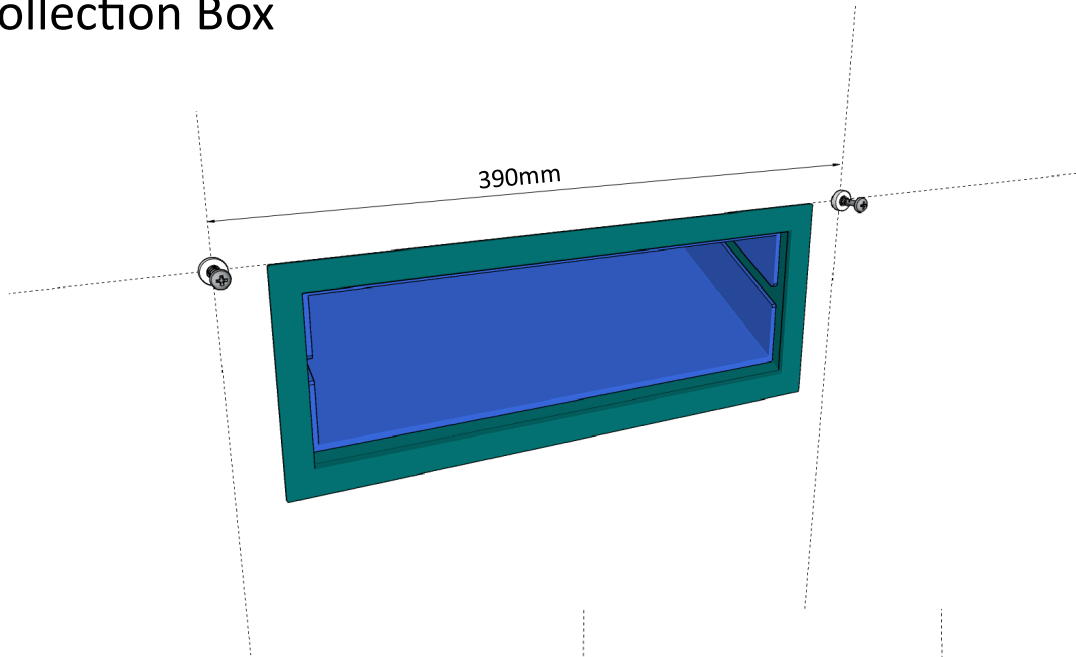


Hudson Collection Box



Mark the holes for the top 2 screws. These should be 390mm apart level with the top of the flange.

Drill the holes with an 8mm masonry bit. Insert wall plugs.

Insert a screw into each plug with a spacer washer on. Screw in leaving around 15-20mm protruding.

Hang the box on the screws and mark out the remaining hole

Drill the hole with an 8mm masonry bit and insert a wall plug.

Run a bead of silicon sealant around the sides and top of the front of the box 10-20mm in from the edge.

Hang the box back on the screws. Insert the final screw and tighten all 3.

Run a bead of silicon around the top and sides of the box where it meets the wall.

