

Building the LS25 Hudson into a wall being built

Step 1, see fig 1

Insert the grub screws into the threaded inserts of the letterplate then secure to the front sleeve using the 2 nyloc nuts.

Step 2, see fig 2

The rear chute has 2 sets of securing holes, the set required will depend on the depth of the wall. The diagram shows the set used for deeper walls. Place 2 nylon washers onto each of the 2 securing bolts and loosely screw into the securing holes. Position the washers as shown.

Step 3, see figs 3 and 4

Slide the 2 sections together ensuring that the securing bolts locate in the adjusting slots with a nylon washer either side of the section. Set the overall depth of the chute to the thickness of the wall and lock the securing bolts up with the 5mm hex key. Run a bead of clear silicon around the joint of the 2 sections

Step 4, see figs 5 and 6

Build the brickwork up to the levels of the chute assembly.

Use the chute assembly as a guide and cut the bricks to shape. The slope on the rear wall is not critical but the front wall needs to be reasonably good. The slope angle is 28 degrees.

Note the notch cutout on the front wall, the dimensions are shown below

- D = 15mm, the depth of the notch
- W = 16mm, the width of the notch

Step 5

Continue to build up around the letter chute up to the required height of the wall.

Step 6, see fig 10

Apply a small bead of clear silicon around the top and sides (not the bottom) of the flange on the rear section, then with the help of an assistant slide the front and rear sections together through the gaps in the wall. The securing bolts should locate in the adjustment slots of the front section. Ensure that there is a nylon washer either side of the adjustment slot as illustrated.

Step 7, see fig 11

Keeping the sections in place, tighten the 2 securing bolts.

Step 8, see fig 12

Where the letterplate meets the wall, run a bead of clear silicon around the top and sides (not the bottom), also seal the internal join by running a bead of silicon on the inside of the chute where the front and rear sections meet.

Building the LS25 Hudson into an existing brick wall

Step 1, see fig 1

Insert the grub screws into the threaded inserts of the letterplate then secure to the front sleeve using the 2 nyloc nuts.

Step 2, see figs 7 and 8

Cut a hole 310mm wide by 92mm high at the required letterplate position as shown. Note the shape of the bottom cutout, the top should be cut perpendicular to the wall.

- A = 16mm the width of the notch
- B = 15mm, the depth of the notch
- H = 92mm, the overall height of the cutout
- W = 310mm, the overall width of the cutout
- The angle of the slope is 28 degrees

Step 3, see fig 9

Cut a hole in the rear face of the wall 320mm wide by 102mm high. The horizontal position of the rear cutout should be central to the front cutout. The vertical position is determined by the depth of the wall. For a standard double brick wall (215mm thick), the top of the rear hole will be approximately 107mm below the top of the front hole. For a standard cavity wall (280mm and shown in the illustration) the distance will be approximately 142mm.

- A = 107mm for a standard double wall • A = 142mm for a standard cavity wall • H = 87mm, the overall height of the cutout • W = 278mm, the overall width of the cutout

The angle of the slope is 28 degrees. The angle of the top of cutout should follow this as close as possible. The bottom cutout is not so critical and can be perpendicular to the wall.

Step 4, see fig 2

The rear chute has 2 sets of securing holes, the set required will depend on the depth of the wall. The diagram shows the set used for deeper walls. Place 2 nylon washers onto each of the 2 securing bolts and loosely screw into the securing holes. Position the washers as shown.

Step 5, see fig 10

Apply a small bead of clear silicon around the top and sides (not the bottom) of the flange on the rear section, then with the help of an assistant slide the front and rear sections together through the gaps in the wall. The securing bolts should locate in the adjustment slots of the front section. Ensure that there is a nylon washer either side of the adjustment slot as illustrated.

Step 6, see figs 11 and 12

Keeping the sections in place, tighten the 2 securing bolts.

Where the letterplate meets the wall, run a bead of clear silicon around the top and sides (not the bottom), also seal the internal joint by running a bead of silicon on the inside of the chute where the front and rear sections meet.

Fig 1

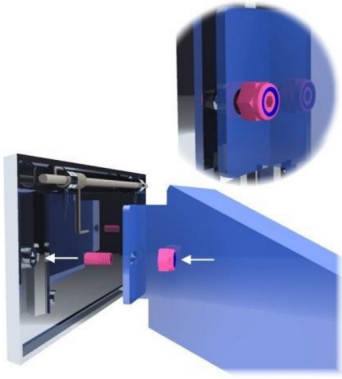


Fig 2

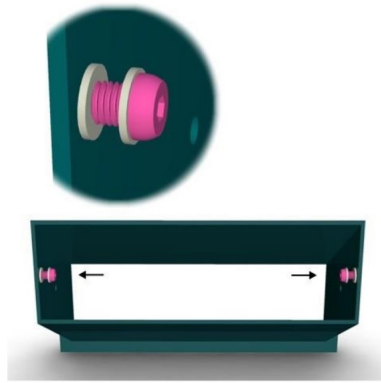


Fig 3

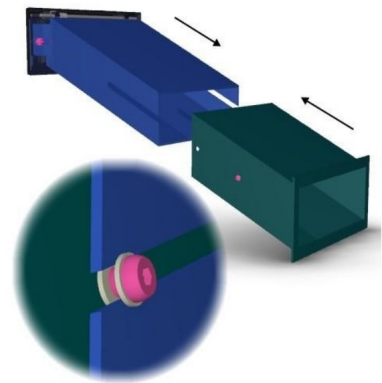


Fig 4

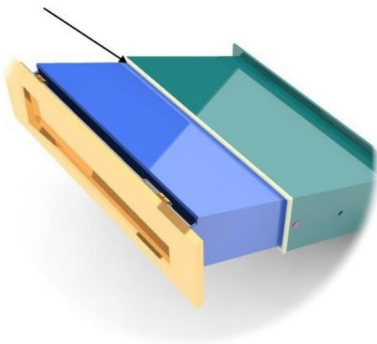


Fig 5

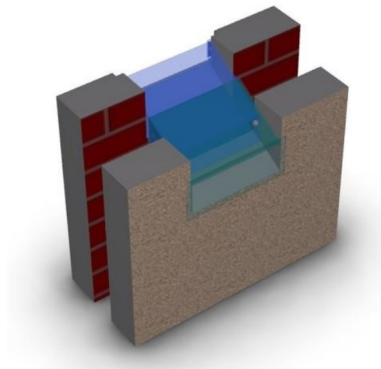


Fig 6

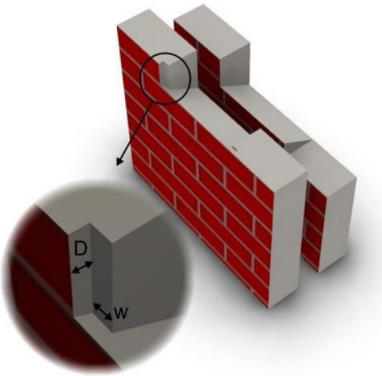


Fig 7

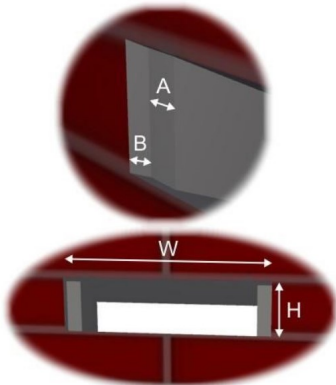


Fig 8

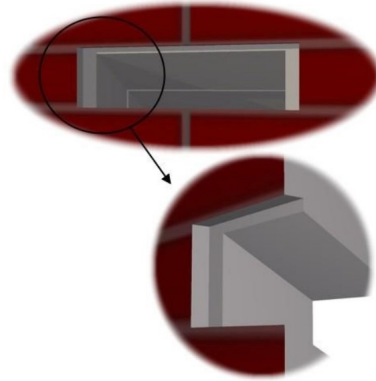


Fig 9

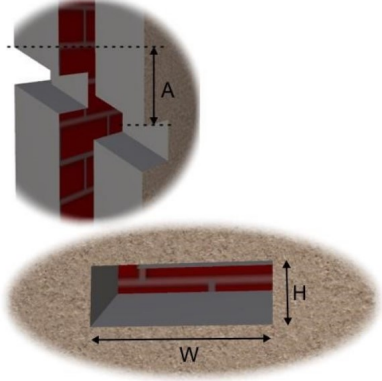


Fig 10

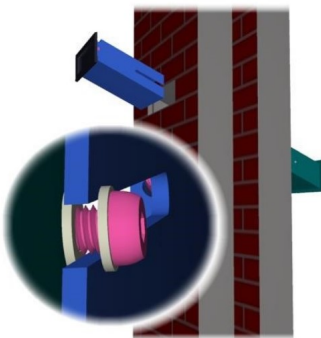


Fig 11

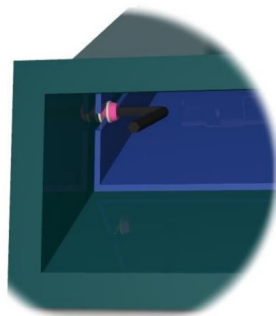


Fig 12

