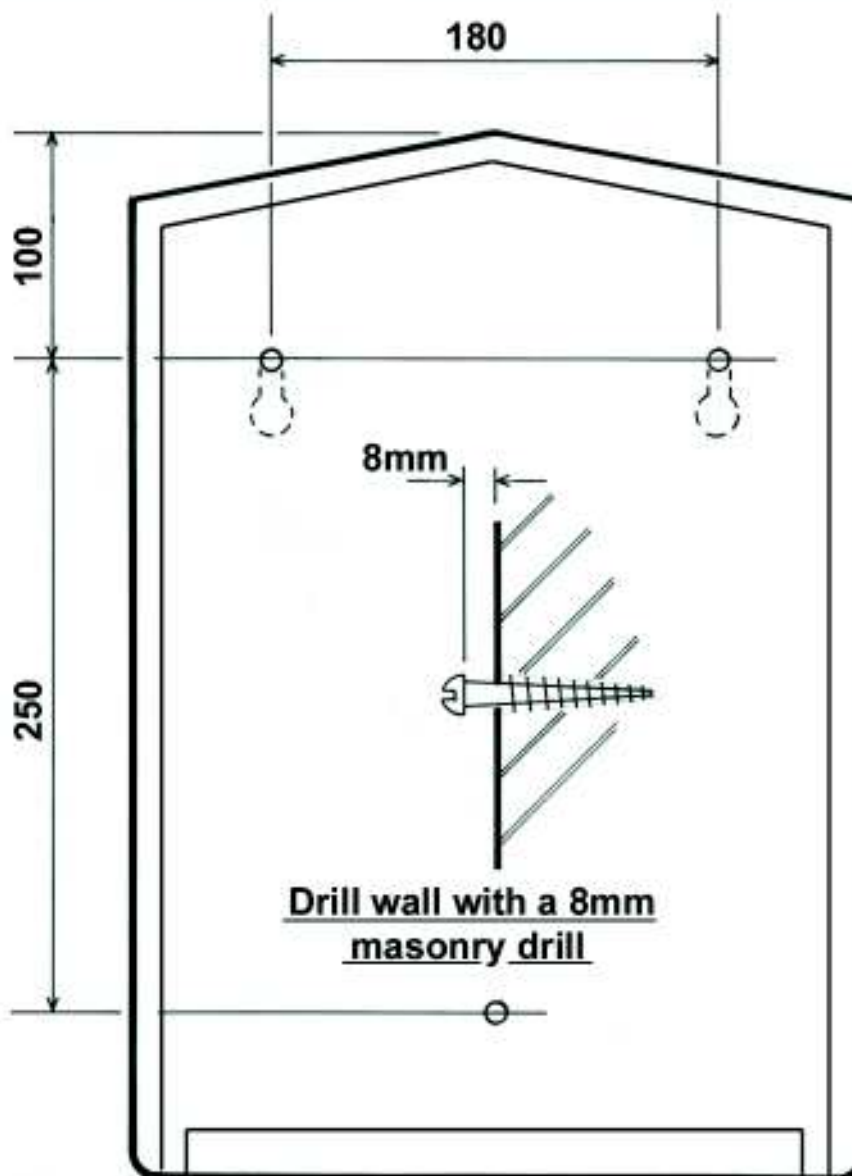


Fixing Hole Positions of Models LSO3 & LSO7



Please note this model is available with an alternative plain back without the fixing hole and keyhole slots. Contact your supplier if you wish to make an exchange.

The recommend height to fix your LETTASAFE is approx 1.50M from ground to the centre of the post flap

- 1/ Using a spirit level draw a horizontal line on the wall and mark the top two holes at 180mm centres.
 - 2/ Drill the two holes, 8mm diameter x 50mm deep. Insert the plastic wall plugs, then fit the top two screws leaving them protruding about 8mm
 - 3/ Mount the LETTASAFE on the two screws using the keyhole slots provided.
 - 4/ Check again for level. Open the door and mark the bottom hole. Lift the LETTASAFE off the top screws
 - 5/ Drill and fit the bottom wall plug. Refit the LETTASAFE on the top two screws, check again for level. Tighten the top screws. Finally fit the bottom screw.
- It is important that you fit the bottom screw which will prevent the LETTASAFE being lifted off. Providing you keep your LETTASAFE locked at all times.**



LETTASAFE
POST BOXES